

E90

QUICK START GUIDE V1.0

YUNEEC®

CONTENTS

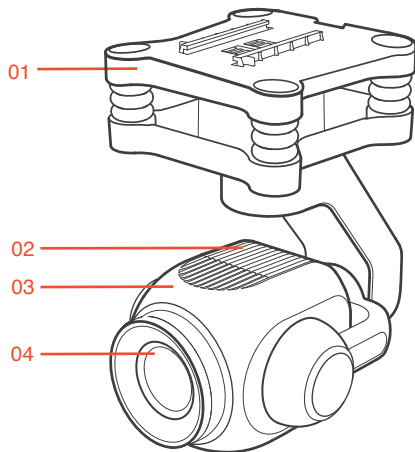
EN: Quick Start Guide

DE: Schnellstartanleitung

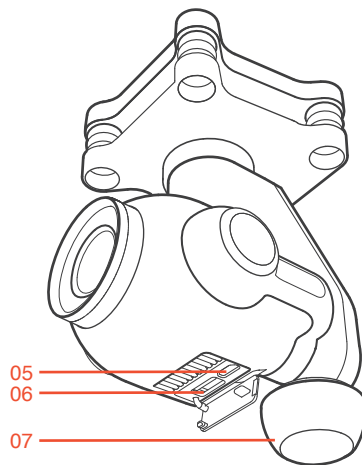
FR: Guide de démarrage rapide

ES: Guía de inicio rápido

IT: Guida Rapida



- 01 Damping Plate
- 02 Camera
- 03 LED Status Indicator
- 04 Camera Lens



- 05 USB Port
- 06 Micro SD Port
- 07 5GHz Antenna

Specifications

General

Dimensions: 4.5"×3.1"×5.1" (115*80*130mm)

Weight: 12.3oz (350g)

Camera

Camera Lens: 23mm/F2.8

FOV: 91°

Electronic Shutter: 8s---1/8000s

Equivalent Focal Length: 23mm

Image Sensor: CMOS

Size of Image Sensor: 1" (13.2x8.8mm)

Photo Resolution:

3:2 5472x3648

4:3 4864x3648

16:9 5472x3080

Photo Formats: JPG, DNG+JPG

Video Resolution:

4K: 4096X2160

H264: 24/25/30/48/50/60p;

H265: 24/30p;

UHD: 3840x2160

H264: 24/25/30/48/50/60p;

H265: 24/30p;

2720x1530 24/25/30/48/50/60p

FHD: 1920x1080 24/25/30/48/50/60/120p

HD: 1280x720 24/25/30/48/50/60/120p

Video Storage Formats: MP4

Operation Modes: Capture, Record

Effective Pixels: 20 Megapixels

EV: ±3.0

ISO: 100-6400

White Balance: Auto,Daylight,Cloudy,

Fluorescent,Incandescent,Sunrise/Sunset

Gimbal

Number of Axis: 3

Control Angle Accuracy: ±0.02°

Maximum Control Range:

Tilt:

-Angle Mode: between 0°and -90°

-Velocity Mode: between +15°and -90°

Pan: 360°limitless

Maximum Control Speed:

Tilt: 30°/s

Pan: 120°/s

Video Transmission Range: 6561.7 ft (2km)

Transmission System: 5.2Ghz-5.8Ghz

Gimbal Installing

Assembling

Step 1.

Find the arrow printed on the top of the damping plate, which indicates the correct direction for installation.

Step 2.

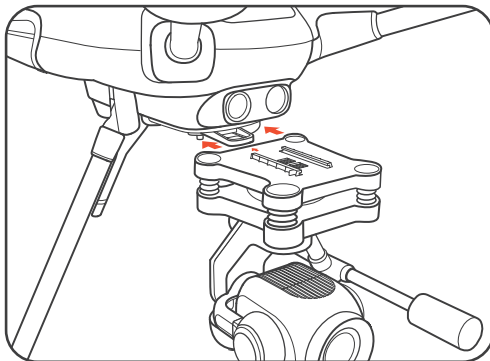
Slide the E90 in the indicated direction all the way into the mounting slot, until the E90 is secured by the locking clip.

Step 3.

Remove the lens protector.

Step 4.

Insert the Micro SD card.



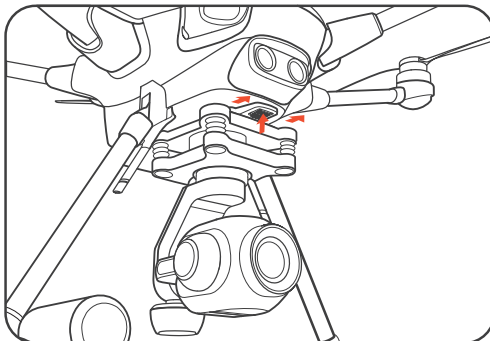
Disassembling

Step 1.

Find the locking clip which is located in front of the mounting slot.

Step 2.

Press and hold the locking clip and push the E90 forward (the direction shown by the arrow).




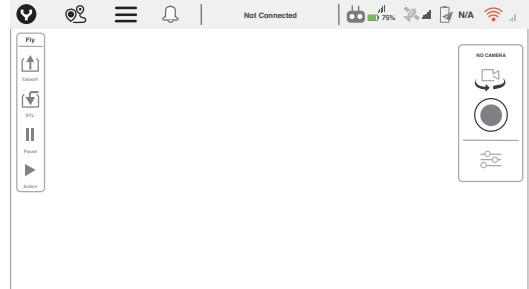
Binding the E90

Step 1.

Switch on the ST16S followed by the H520 aircraft.

Step 2.

Tap the [] on the top right corner on the main interface of ST16S.



Step 3.

Tap the serial number of the E90 when the following window pops up. (If multiple Yuneec UAS are used, check the ID number on the side of each camera to assure correct camera selection/binding).



Step 4.

Using the password "1234567890", authorize the camera and tap "OK" to confirm.

NOTICE

If the connection process is delayed, close the pop up window and then repeat the above steps.



NOTICE

- 1 Make sure that the firmware of the gimbal has been updated to the latest version.
- 2 For the latest product information, please check our official website: www.yuneec.com.

WARNING

- Do not expose the lens of E90 gimbal camera to extreme light sources!
- Do not operate the E90 gimbal camera in the rain or in environments with high humidity!
- Do not touch or move the E90 gimbal camera until the initialization process has been completed!
- Do not try to repair the E90 gimbal camera by yourself! Repairs must go to an authorized service center.

The following special terms are used throughout the product literature to indicate various levels of potential harm when operating this product:

NOTICE Procedures, which if not properly followed, create a possibility of property damage and/or little to no possibility of injury.

CAUTION Procedures, which if not properly followed, create the probability of property damage and/or a possibility of serious injury.

WARNING Procedures, which if not properly followed, create the probability of property damage, collateral damage and/or serious injury or create a high probability of superficial injury.

WARNING

- Read the ENTIRE instruction manual to become familiar with the features of the product before operating.
- Do not use with incompatible components or alter this product in any way outside of the instructions provided by Yuneec.
- Failure to use this product in the intended manner as described in instruction manual can result in damage to the product, property and/or cause serious injury. This product is not a toy!

Collection and Processing of Data

- Yuneec may collect navigation information such as GPS data to help improve our products.
- We may also collect Depth Map information and Infrared Image information from your drone delivered to our service center for repair and maintenance service or any other service.
- We may also collect other information such as device information, server log information, etc. We may also collect personal information used in registration if you choose to become a registered user and any other information user provided to Yuneec. We may also collect information which user send to other users, and the recipients and senders of such information.

We reserve the right to disclose your information if required to do so by law or in the good-faith belief that such disclosure is needed to comply with applicable laws, for example in response to a court order, judicial subpoena, warrant or request from government, or otherwise cooperating with government agencies or law enforcement.

We also reserve the right to disclose your information that we believe in good faith is necessary or appropriate to: (i) protect ourselves or others from fraudulent, unlawful, or abusive activities; (ii) take precautions against potential liability; (iii) protect the security of the Yuneec Apps embedded into or downloaded onto your drone or any associated equipment and services; (iv) protect the legal rights of ourselves or any others.

Any information we collected maybe disclosed or transferred to an acquirer, successor or assignee as part of any potential merger, acquisition, debt financing or other activities that involves transfer of business assets.

We may make the aggregated non-personal information of the users available to third parties for various purposes, including (i) complying with various report obligations; (ii) marketing efforts; (iii) analyzing product safety; (iv) understanding and analyzing our users' interests, habits, usage pattern for certain functionalities, services, content, etc.

Disclaimer

Yuneec Electric Aviation cannot be held liable for any damage, injury or for use of the product in violation with legal regulations, especially in the following circumstances: Damage and/or injury as well violation of legal regulations resulting from a failure to comply with the operating instructions or the instructions at www.yuneec.com, product information, user manual and other legally binding information.

Damage and/or injury as well violation of legal regulations brought about by the influence of alcohol, drugs, medication or other narcotics which may impact on the concentration of the user.

The same applies to illnesses effecting the concentration of the user(dizziness, tiredness, nausea etc.) or other factors compromising mental and physical capabilities.

Intentionally caused damage, injury or violation of legal regulations.

Any request for compensation caused by an accident resulting from use of the product.

Damage and/or injury as well as violation of legal regulations caused by use of the product in a no-fly zone, e.g.next to an airfield, above a motorway or a natural conservation area.

Malfunction of the product caused by retrofitting or replacement with components which did not come from Yuneec Electric Aviation.

Damage and/or injury caused by the use of replica parts (non-original parts).

Damage and/or injury as well as violation of legal regulations caused by incorrect operation or misjudgement.

Damage and/or injury caused by damaged spare parts or not using original Yuneec Electric Aviation spare parts.

Damage and/or injury as well as violation of legal regulations caused by ignoring the low voltage battery warning.

Damage and/or injury as well as violation of legal regulations caused by operating the model in a magnetic field (e.g. high voltage lines, electricity/ transformer stations, radio towers, mobile phone masts etc.), a strong wireless

signal environment, no-fly zones, poor visibility and in the event of vision impairments or other impacts on the pilot which are left unchecked etc.

Damage and/or injury brought about through a violation of the legal regulations for operating the model, in unsuitable weather conditions, e.g. rain, wind, snow, hail, storms, hurricanes etc.

Damage and/or injury as well as violation of legal regulations caused by force majeure, e.g. collision, fire, explosion, flooding, tsunami, landslide, avalanche, earthquake or other forces of nature.

Damage and/or injury as well as violation of legal regulations caused by the illegal or immoral use of the model, e.g. capturing videos or recording data which infringes upon/harms the privacy of other people.

Damage and/or injury as well as violation of legal regulations caused by incorrect use of the batteries, protection systems, chargers or aircraft.

Consequential damage caused by the incorrect operation of any kind of system components and accessory parts, especially memory cards, whereby image or video material from the camera can become defect.

Any non-compliance with legal obligations, personal injury, material damage and environmental damage caused by use and a failure to comply with the local laws and regulations.

Damage and/or injury as well as violation of legal regulations caused by hazardous use without sufficient practical experience.

Damage and/or injury as well as violation of legal regulations caused by flying in legally defined no-fly zones.

Further losses which do not fall within the scope of use defined by Yuneec Electric Aviation as improper.

This product is designed for both professional use and personal, private use. The national and international laws and regulations in force as the time of taking off must be adhered to.

Regulation Information

FCC Statement

This equipment has been tested and found to comply with the limits for Part 15 of the FCC rules. These limits are designed to provide reasonable protection against harmful interference in a residential installation. This equipment generates, uses and can radiate radio frequency energy and, if not installed and used in accordance with the instructions, may cause harmful interference to radio communications. However, there is no guarantee that interference will not occur in a particular installation. If this equipment does cause harmful interference to radio or television reception, which can be determined by turning the equipment off and on, the user is encouraged to try to correct the interference by one or more of the following measures:

- Reorient or relocate the receiving antenna.
- Increase the separation between the equipment and receiver.
- Connect the equipment to an outlet on a circuit different from that to which the receiver is connected.
- Consult the dealer or an experienced radio/TV technician for help.

This device complies with part 15 of the FCC rules. Operation is subject to the following two conditions:

(1) This device may not cause harmful interference, and (2) this device must accept any interference received, including interference that may cause undesired operation.

RF Exposure Warning

This equipment must be installed and operated in accordance with provided instructions and the antenna(s) used for this transmitter must be installed to provide a separation distance of at least 20 cm from all persons and must not be co-located or operating in conjunction with any other antenna or transmitter. End-users and installers must be provided with antenna installation instructions and transmitter operating conditions for satisfying RF exposure compliance.

IC Radiation Exposure Statement for Canada

This device complies with Industry Canada licence-exempt RSS standard(s). Operation is subject to the following two conditions: (1) this device may not cause interference, and (2) this device must accept any interference, including interference that may cause undesired operation of the device. Le présent appareil est conforme aux CNR d'Industrie Canada applicables aux appareils radio exempts de licence. L'exploitation est autorisée aux deux conditions suivantes : (1) l'appareil ne doit pas produire de brouillage, et (2) l'utilisateur de l'appareil doit accepter tout brouillage radioélectrique subi, même si le brouillage est susceptible d'en compromettre le fonctionnement.

This equipment complies with IC RSS-102 radiation exposure limit set forth for an uncontrolled environment. Cet équipement respecte les limites d'exposition aux rayonnements IC définies pour un environnement non contrôlé

NCC Warning Statement

Article 12

Without permission, any company, firm or user shall not alter the frequency, increase the power, or change the characteristics and functions of the original design of the certified lower power frequency electric machinery.

Article 14

The application of low power frequency electric machineries shall not affect the navigation safety nor interfere a legal communication, if an interference is found, the service will be suspended until improvement is made and the interference no longer exists.

CE Warning Statement

This device meets the EU requirements on the limitation of the general public to electromagnetic fields by way of health protection.

EU Operation Frequency (The Maximum Transmitted Power)

5G Wifi: 5560-5580MHz (27dBm), 5680-5700MHz (27dBm)

EU Compliance Statement

Hereby, Yuneec International (China) Co., Ltd. declares that this device is in compliance with the essential requirements and other relevant provisions of the RED Directive 2014/53/EU. The full text of the EU Declaration of Conformity is available at the following internet address: <http://yune.ec/de-downloads>.

Please visit the address above and enter into corresponding product page.

Customer Service

Manufacturer:

Yuneeec International (China) Co., Ltd.

Address: East Zhengwei Road No.388, Jinxi Town, Kunshan City, Jiangsu Province

Distributor:

CN: Youyu (Shanghai) Digital Technology Co.,Ltd.

Address: B 15F, 461 HongCao Road, CaoHeJing Software Building XuHui District, Shanghai, China

Tel.: +86 400 8207 506

saleschina@yuneeec.com

HK: Yuneeec HK

Address: 2/F, Man Shung Industrial Building, 7 Lai Yip Street, Kwun Tong, Kowloon, Hong Kong

Tel.: +852 3616 6017

hkcs@yuneeec.com

US: Yuneeec USA Inc.

Address: 5555 Ontario Mills Parkway, Ontario, CA91764, USA

Tel.: +1 855 284 8888

uscs@yuneeec.com

EU: Yuneeec Europe GmbH

Address: Niklaus-Otto-Strasse 4, 24568 Kaltenkirchen, Germany

Tel.: +49 4191 932620

eucs@yuneeec.com

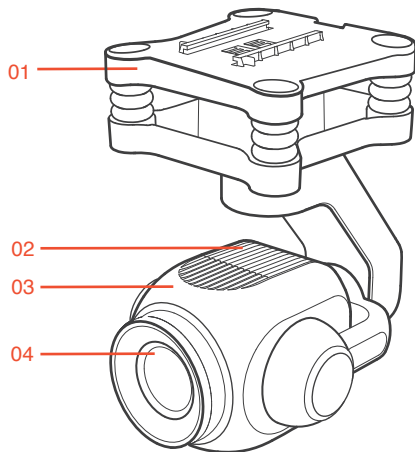
UK: YUNEEC UK

Address: 181 Victoria Road, Barnet, Hertfordshire EN4 9PA, UK

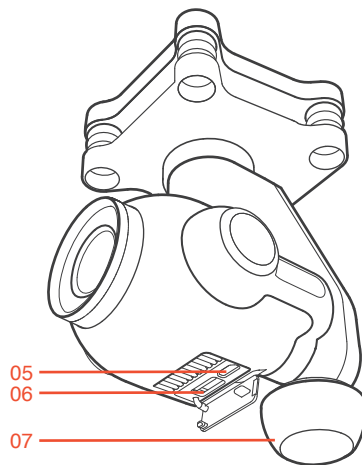
Tel.: +44(0) 208 449 4321

info@yuneeec.uk

Einführung und Übersicht



- 01 Dämpfungsplatte
- 02 Kamera
- 03 LED-Statusanzeige
- 04 Kameralinse



- 05 USB-Port
- 06 Micro USB-Port
- 07 5-GHz-Antenne

Technische Daten

Allgemein

Abmessungen:

4,5" x 3,1" x 5,1" (115 x 80 x 130 mm)

Gewicht: 12,3 oz (350 g)

Kamera

Kameralinse: 23 mm/F2.8

FOV: 91°

Elektronische Blende: 8s---1/8000s

Brennweitenäquivalent: 23 mm

Bildsensor: CMOS

Bildsensorgröße: 1" (13,2 x 8,8 mm)

Fotoauflösung: 3:2 5472 x 3648

4:3 4864 x 3648

16:9 5472 x 3080

Fotoformate: JPG, DNG+JPG

Videoauflösung:

4K: 4096x2160

H264: 24/25/30/48/50/60p;

H265: 24/30p;

UHD: 3840x2160

H264: 24/25/30/48/50/60p;

H265: 24/30p;

2720x1530 24/25/30/48/50/60P;

FHD: 1920 x 1080 24/25/30/48/50/60/120 p

HD: 1280 x 720 24/25/30/48/50/60/120 p

Videospeicherformate: MP4

Betriebsmodi: Foto, Video

Effektive Pixel: 20 Megapixel

Belichtung: ±3,0

ISO: 100-6400

Weißabgleich: Auto, Tageslicht, Bewölkung,

Neon, Glühlampe, Dämmerung

Gimbal

Anzahl der Achsen: 3

Steuerwinkelgenauigkeit: ±0,02°

Maximaler Regelbereich:

Neigung:

-Angle-Modus: zwischen 0° und 90°

-Velocity-Modus: zwischen +15° und -90°

Schwenk: 360° unbegrenzt

Maximale Steuergeschwindigkeit:

Neigung: 30°/s

Schwenk: 120°/s

Reichweite der Videoübertragung: 2 km

Übertragungssystem: 5,2 GHz — 5,8 GHz

Gimbal-Installation

Zusammenbau

Schritt 1.

Der Pfeil auf der Dämpfungsplatte zeigt die korrekte Einbaurichtung an.

Schritt 2.

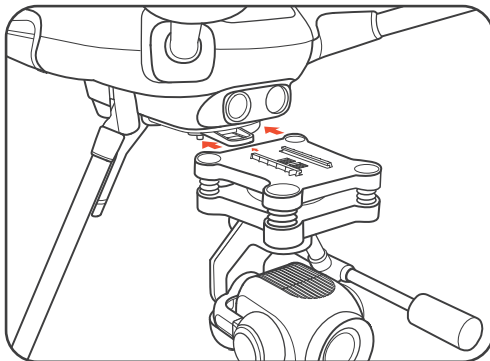
Die E90 in angegebener Richtung in die Montageschiene schieben, bis die E90 durch den Verriegelungsbügel gesichert ist.

Schritt 3.

Den Linsenschutz abnehmen.

Schritt 4.

Die Micro-SD-Karte einstecken.



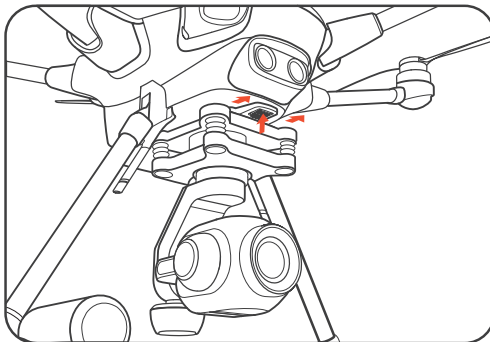
Zerlegung

Schritt 1.

Die Verriegelungslasche an der Vorderseite der Montageschiene suchen.

Schritt 2.

Die Verriegelungslasche gedrückt halten und die E90 nach vorne schieben (in Pfeilrichtung).



Verbinden der E90

Schritt 1.

Die ST16S und anschließend das Fluggerät H520 einschalten.

Schritt 2.

Auf das Symbol [📶] in der oberen rechten Ecke des Hauptbildschirms der ST16S tippen.

Schritt 3.

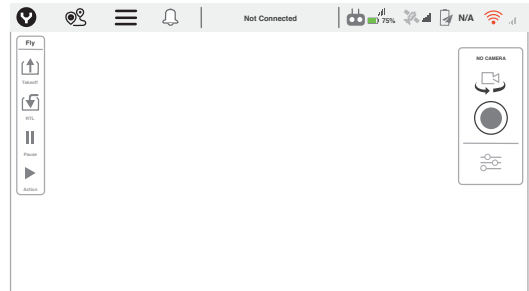
Wenn das folgende Fenster erscheint, die Seriennummer der E90 eingeben. (Wenn mehrere Fluggeräte von Yuneec verwendet werden, die ID-Nummer auf der Seite jeder Kamera überprüfen, um sicherzustellen, dass die richtige Kamera ausgewählt/verbunden wurde).

Schritt 4.

Mit dem Passwort „1234567890“ die Kamera freigeben und zur Bestätigung auf „OK“ tippen.

HINWEIS

Wenn der Verbindungsvorgang verzögert erfolgt, das Pop-up-Fenster schließen und die oben genannten Schritte wiederholen.



HINWEIS

1. Sicherstellen, dass die Firmware des Gimbal auf die neueste Version aktualisiert wurde.
2. Neueste Produktinformationen sind auf unserer offiziellen Website abrufbar: www.yuneec.com.

WARNUNG

Die Linse der E90 Gimbal-Kamera keinen übermäßig starken Lichtquellen aussetzen!

Die E90 Gimbal-Kamera nicht im Regen oder in Umgebungen mit hoher Luftfeuchtigkeit verwenden!

Die E90 Gimbal-Kamera erst berühren bzw. bewegen, nachdem der Initialisierungsprozess abgeschlossen wurde!

Nicht versuchen, die E90 Gimbal-Kamera selbst zu reparieren. Reparaturen dürfen nur von einem autorisierten Kundendienst durchgeführt werden.

Die folgenden Fachbegriffe werden in der gesamten Produktdokumentation verwendet, um auf unterschiedlich hohe Gefahrenrisiken beim Betrieb dieses Produkts hinzuweisen:

HINWEIS Wenn diese Verfahren nicht korrekt befolgt werden, sind als Folge Sachschäden möglich und/oder geringfügige bis keine Verletzungen möglich.

WARNUNG Wenn diese Verfahren nicht korrekt befolgt werden, sind als Folge Sachschäden wahrscheinlich und/oder schwere Verletzungen möglich.

WARNUNG Wenn diese Verfahren nicht korrekt befolgt werden, sind als Folge Sachschäden, Kollateralschäden und/oder schwere Verletzungen wahrscheinlich oder oberflächliche Verletzungen sehr wahrscheinlich.

WARNUNG

Die GESAMTE Bedienungsanleitung durchlesen, um sich vor dem Betrieb mit den Produktfunktionen vertraut zu machen.

Nicht versuchen, das Produkt ohne Genehmigung von Yuneec mit inkompatiblen Komponenten zu verwenden oder auf irgendeine Weise zu modifizieren.

Wenn dieses Produkt nicht auf die in der Bedienungsanleitung beschriebene Weise verwendet wird, kann dies zu Produkt- oder Sachschäden und/oder schweren Verletzungen führen. Dieses Produkt ist kein Spielzeug!

Sammlung und Verarbeitung von Daten

Yuneec darf zur Verbesserung der Produkte Navigationsdaten wie GPS-Daten erfassen.

Zudem haben wir das Recht, Tiefenkartendaten und Infrarotbilddaten der Drohne zu erfassen, die zu Reparatur- und Wartungszwecken oder anderen Leistungen an unseren Kundendienst gesendet wurde.

Außerdem dürfen wir andere Informationen wie Geräteinformationen, Serverprotokolldaten usw. erfassen und haben auch das Recht zur Erfassung personenbezogener Daten, die bei der Registrierung angegeben wurden, falls eine Registrierung als Benutzer gewählt wird, sowie jeglicher anderer Informationen, die Benutzer Yuneec zur Verfügung stellen.

Wir dürfen auch Informationen erfassen, die ein Benutzer an andere Benutzer sendet, sowie die Empfänger und Absender dieser Informationen. Wir behalten uns das Recht vor, Informationen von Benutzern offenzulegen, falls dies nach dem Gesetz oder in gutem Glauben, dass eine solche Offenlegung notwendig ist, um die gültigen Gesetze einzuhalten, erforderlich ist, zum Beispiel als Reaktion auf eine gerichtliche Anordnung, Vorladung, einen Vollstreckungsbefehl oder eine Aufforderung seitens der Regierung oder aufgrund anderweitiger Zusammenarbeit mit Behörden oder Strafverfolgung. Zudem behalten wir uns das Recht vor, Informationen von Benutzern offenzulegen, wenn wir dies in gutem Glauben als notwendig oder angemessen erachten, um:(i) uns oder andere vor betrügerischen, rechtswidrigen oder missbräuchlichen Aktivitäten zu schützen; (ii) Vorkehrungen gegen eventuelle Haftung zu treffen; (iii) die Sicherheit der Yuneec-Apps zu schützen, die auf der Drohne oder der dazugehörigen Ausrüstung oder in Leistungen eingebettet sind oder auf diese heruntergeladen werden;(iv) unsere gesetzlichen Rechte und die anderer zu schützen.

Die von uns erfassten Informationen dürfen an einen Erwerber, Rechtsnachfolger oder Abtretungsempfänger im Rahmen einer eventuellen Fusion, Übernahme, Fremdfinanzierung oder anderer Aktivitäten, die mit der Übertragung von Betriebsvermögen einhergehen, weitergegeben oder ihm gegenüber offengelegt werden. Wir dürfen die aggregierten, nicht personenbezogenen Daten der Benutzer, die Dritten zugänglich sind, für verschiedene Zwecke nutzen, einschließlich (i) Erfüllung verschiedener Meldepflichten, (ii) Marketing-Initiativen, (iii) Analysen der Produktsicherheit, (iv) Nachvollziehen und Analysieren der Interessen, Gewohnheiten und des Nutzungsverhaltens unserer Benutzer für bestimmte Funktionalitäten, Dienstleistungen, Inhalte etc.

Haftungsausschluss

Yuneec Electric Aviation haftet nicht für jegliche Schäden, Verletzungen oder eine gesetzwidrige Nutzung des Produkts, insbesondere unter den folgenden Umständen: Schäden und/oder Verletzungen sowie Verstöße gegen gesetzliche Vorschriften, die aus einer Nichteinhaltung der Betriebsanleitung oder der Anweisungen auf www.yuneec.com, der Produktinformationen, des Benutzerhandbuchs oder anderer rechtlich bindender Angaben resultieren.

Schäden und/oder Verletzungen sowie Verstoß gegen gesetzliche Bestimmungen durch den Einfluss von Alkohol, Drogen, Medikamenten oder anderen Betäubungsmitteln, die sich auf die Konzentrationsfähigkeit des Benutzers auswirken.

Das Gleiche gilt für Krankheiten, die die Konzentrationsfähigkeit des Benutzers beeinträchtigen (Schwindel, Müdigkeit, Übelkeit usw.) oder für andere Faktoren, welche die geistigen und körperlichen Fähigkeiten beeinträchtigen. Absichtliche Beschädigungen, Verletzungen oder Verstöße gegen gesetzliche Bestimmungen.

Jegliche Entschädigungsforderungen infolge eines durch die Benutzung des Produkts verursachten Unfalls.

Schäden und/oder Verletzungen sowie Verstöße gegen gesetzliche Bestimmungen durch die Verwendung des Produkts in Flugverbotszonen, z. B. in der Nähe von Flugplätzen, über Autobahnen oder in Naturschutzgebieten. Defekte des Produkts durch Nachrüstung oder Austausch mit Komponenten, die nicht von Yuneec Electric Aviation geliefert wurden.

Schäden und/oder Verletzungen, die durch die Verwendung von Nachbauteilen (keine Originalbauteile) verursacht wurden.

Schäden und/oder Verletzungen sowie Verstöße gegen gesetzliche Vorschriften, die durch einen nicht ordnungsgemäßen Betrieb oder Fehleinschätzungen verursacht werden.

Schäden und/oder Verletzungen, die durch beschädigte Ersatzteile oder durch die Verwendung anderer Bauteile als die Originalbauteile von Yuneec Electric Aviation verursacht wurden.

Schäden und/oder Verletzungen sowie Verstöße gegen gesetzliche Vorschriften, die durch ein Ignorieren des Warnhinweises zum niedrigen Akkustand verursacht wurden.

Schäden und/oder Verletzungen sowie Verstöße gegen gesetzliche Vorschriften, die durch den Betrieb des Modells in einem Magnetfeld (z. B. Hochspannungsleitungen, Elektrizitätswerke/Trafostationen, Funktürme, Mobilfunkmasten usw.), einer Umgebung mit starken Funksignalen oder Flugverbotszonen, bei schlechter Sicht oder bei eingeschränkter Sicht oder bei anderen Beeinträchtigungen des Piloten, die nicht überprüft werden usw., verursacht wurden.

Schäden und/oder Verletzungen, die durch einen Verstoß gegen die gesetzlichen Vorschriften für den Betrieb des Modells bei ungeeigneten Wetterbedingungen, z. B. Regen, Wind, Schnee, Hagel, Wirbelstürme usw., ausgelöst wurden.

Schäden und/oder Verletzungen sowie Verstöße gegen gesetzliche Vorschriften, die durch höhere Gewalt verursacht wurden, z. B. Zusammenstoß, Feuer, Explosion, Überschwemmung, Tsunami, Erdbeben, Lawine, Erdbeben oder andere Naturgewalten.

Schäden und/oder Verletzungen sowie Verstöße gegen gesetzliche Vorschriften, die durch eine illegale oder unethische Nutzung des Modells verursacht wurden, z. B. das Aufnehmen von Videos oder Aufzeichnen von Daten, die die Privatsphäre anderer Personen verletzen/beeinträchtigen.

Schäden und/oder Verletzungen sowie Verstöße gegen gesetzliche Vorschriften, die durch einen nicht ordnungsgemäßen Gebrauch von Akkus, Schutzsystemen, Ladegeräten oder Fluggeräten verursacht wurden.

Folgeschäden, die durch einen nicht ordnungsgemäßen Gebrauch jeder Art von Systemkomponenten und Zubehörteilen verursacht wurden, insbesondere Speicherkarten, wodurch das Bild- oder Videomaterial der Kamera beschädigt werden kann.

Jegliche Nichteinhaltung gesetzlicher Vorschriften, Personenschäden, Sachschäden und Umweltschäden, die durch einen Betrieb unter Nichtbeachtung der örtlichen Gesetze und Vorschriften verursacht wurden.

Schäden und/oder Verletzungen sowie Verstöße gegen gesetzliche Vorschriften, die durch eine gefährliche Nutzung ohne ausreichende praktische Erfahrung verursacht wurden.

Schäden und/oder Verletzungen sowie Verstöße gegen gesetzliche Bestimmungen durch Flüge in gesetzlich festgelegten Flugverbotszonen.

Weitere Schäden, die nicht unter den von Yuneec Electric Aviation als unsachgemäß definierten Gebrauch fallen. Dieses Produkt ist sowohl für den professionellen Einsatz als auch den persönlichen, privaten Gebrauch ausgelegt. Die nationalen und internationalen Gesetze und Vorschriften, die zur Zeit des Abhebens in Kraft sind, müssen eingehalten werden.

Gesetzliche Hinweise

FCC-Bestimmungen

Dieses Gerät wurde getestet und hält die Grenzwerte aus Teil 15 der FCC-Regeln ein. Diese Grenzwerte sind so ausgelegt, dass sie einen angemessenen Schutz vor schädlichen Störungen in Wohngebieten gewährleisten. Dieses Gerät erzeugt und verwendet Funkfrequenzen und kann Hochfrequenzenergie abstrahlen; wenn es nicht in Übereinstimmung mit den Anweisungen installiert und verwendet wird, kann es darüber hinaus Funkstörungen verursachen. Es besteht jedoch keine Garantie, dass bei einer bestimmten Installation keine Interferenzen auftreten. Sollte das Gerät die Funkkommunikation von Radios oder Fernsehgeräten stören, was durch Aus und Einschalten des Gerätes überprüft werden kann, sollte der Benutzer versuchen, die Störungen mithilfe einer oder mehrerer der folgenden Vorgehensweisen zu beheben:

- Verlegung oder Neuausrichtung der Empfangsantenne.
- Vergrößerung des Abstands zwischen Gerät und Empfänger.
- Gerät an eine Steckdose anschließen, an deren Stromkreis nicht auch der Empfänger angeschlossen ist.
- Hinzuziehen des Händlers oder eines erfahrenen Radio-/Fernsehtechnikers.

Dieses Gerät erfüllt den Abschnitt 15 der FCC-Bestimmungen. Der Betrieb unterliegt den folgenden zwei Bedingungen: (1) Das Gerät darf keine schädlichen Störungen verursachen, und (2) das Gerät muss jede empfangene Störung verarbeiten können, einschließlich Störungen, die unerwünschte Funktionen verursachen könnten.

Strahlenbelastungswarnung

Dieses Gerät muss gemäß den bereitgestellten Anweisungen installiert und betrieben werden und die für diesen Sender verwendete(n) Antenne(n) muss/müssen so installiert werden, dass ein Abstand von mindestens 20 cm zu allen in der Nähe befindlichen Personen eingehalten wird, und sie dürfen nicht mit einer anderen Antenne oder einem anderen Sender zusammen aufgestellt oder in Verbindung mit diesen betrieben werden. Den Endbenutzern und Installateuren müssen die Antenneninstallationsanweisungen und die Senderbetriebsbedingungen zur Einhaltung der Richtlinien zur Strahlenbelastungsbegrenzung zur Verfügung gestellt werden.

IC-Strahlenbelastungserklärung für Kanada

Dieses Gerät erfüllt die Bestimmungen der lizenzfreien RSS-Standards von Industry Canada. Der Betrieb unterliegt den folgenden zwei Bedingungen: (1) Das Gerät darf keine Störungen verursachen, und (2) das Gerät muss jede Störung verarbeiten können, einschließlich Störungen, die unerwünschte Funktionen des Gerätes verursachen könnten.

Le présent appareil est conforme aux CNR d'Industrie Canada applicables aux appareils radio exempts de licence. L'exploitation est autorisée aux deux conditions suivantes : (1) l'appareil ne doit pas produire de brouillage, et (2) l'utilisateur de l'appareil doit accepter tout brouillage radioélectrique subi, même si le brouillage est susceptible d'en compromettre le fonctionnement.

Dieses Gerät hält die Strahlenbelastungsgrenzen gemäß IC RSS-102 ein, die für eine unkontrollierte Umgebung festgelegt wurden. Cet équipement respecte les limites d'exposition aux rayonnements IC définies pour un environnement non contrôlé

NCC-Warnung

Artikel 12

Kein Unternehmen oder Benutzer darf ohne Zustimmung die Frequenz ändern, die Leistung verstärken oder die Eigenschaften und Funktionen des ursprünglichen Designs des zertifizierten Niederfrequenz-Elektrogeräts modifizieren.

Artikel 14

Der Einsatz elektrischer Niederfrequenz-Elektrogeräte darf weder die Navigationssicherheit noch eine legale Kommunikation stören.

Bei Feststellung einer Störung wird der Einsatz eingestellt, bis eine Verbesserung vorgenommen wurde und die Störung nicht mehr vorliegt.

CE-Warnung

Das Gerät erfüllt die EU-Vorgaben zum Schutz der Öffentlichkeit vor elektromagnetischen Feldern im Zusammenhang mit dem Schutz der Gesundheit.

EU-Betriebsfrequenz (max. Übertragungsleistung)

5G Wifi: 5560-5580 MHz (27 dBm), 5680-5700 MHz (27 dBm)

EU-Konformitätserklärung

Hiermit erklärt Yuneec International (China) Co., Ltd. die Konformität dieses Geräts mit den grundlegenden Anforderungen und anderen relevanten Vorgaben der Richtlinie für Funkanlagen 2014/53/EU. Der vollständige Text der EU-Konformitätserklärung ist unter folgender Internetadresse abrufbar: <http://yuneec.de/downloads>.

Bitte besuchen Sie die oben genannte Website und öffnen Sie die entsprechende Produktseite.

Kunden service

Hersteller:

Yunee International (China) Co., Ltd.

Adresse: East Zhengwei Road No.388, Jinxi Town, Kunshan City, Jiangsu Province

Vertrieb:

CN: Youyu (Shanghai) Digital Technology Co.,Ltd.

Adresse: B 15F, 461 HongCao Road, CaoHeJing Software Building XuHui District, Shanghai, China

Tel.: +86 400 8207 506

saleschina@yunee.com

HK: Yunee HK

Adresse: 2/F, Man Shung Industrial Building, 7 Lai Yip Street, Kwun Tong, Kowloon, Hongkong

Tel.: +852 3616 6017

hkcs@yunee.com

US: Yunee USA Inc.

Adresse: 5555 Ontario Mills Parkway, Ontario, CA91764, USA

Tel.: +1 855 284 8888

uscs@yunee.com

EU: Yunee Europe GmbH

Adresse: Niklaus-Otto- Strasse 4, 24568 Kaltenkirchen, Germany

Tel.: +49 4191 932620

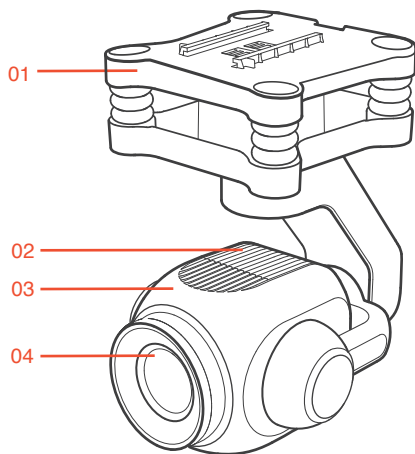
eucs@yunee.com

UK: YUNEEC UK

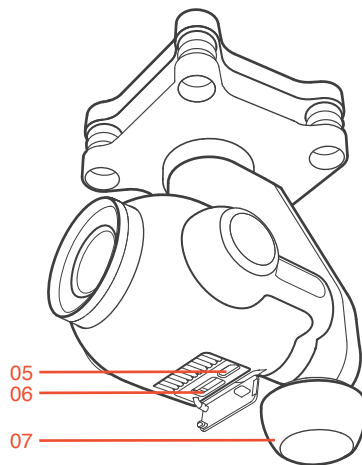
Adresse: 181 Victoria Road, Barnet, Hertfordshire EN4 9PA, UK

Tel.: +44(0) 208 449 4321

info@yunee.uk



- 01 Plaque d'amortissement
- 02 Caméra
- 03 Indicateur de statut LED
- 04 Objectif de la caméra



- 05 Port USB
- 06 Port micro SD
- 07 Antenne 5GHz

Spécifications

générales

Dimensions : 115*80*130 mm

Poids : 350g

Caméra

Objectif de la caméra : 23 mm/F2.8

Champ de vision : 91°

Obturbateur électronique : 8 s---1/8000 s

Distance focale équivalente : 23 mm

Capteur : CMOS

Taille de capteur : 1" (13.2x8.8 mm)

Résolution photo : 3:2 5472x3648

4:3 4864x3648

16:9 5472x3080

Formats photo : JPG, DNG+JPG

Résolution vidéo :

4K: 4096X2160

H264: 24/25/30/48/50/60p;

H265: 24/30p;

UHD: 3840x2160

H264: 24/25/30/48/50/60p;

H265: 24/30p;

2720x1530 24/25/30/48/50/60P;

FHD : 1920x1080 24/25/30/48/50/60/120p

HD : 1280x720 24/25/30/48/50/60/120p

Formats de stockage vidéo : MP4

Modes de fonctionnement : Capture, enregistrement

Résolution : 20 mégapixels

EV : ±3.0

ISO : 100-6400

Balance des blancs : Auto, Lumière du jour,

Nuageux, Fluorescent, Incandescent,

Lever/coucher de soleil

Nacelle

Nombre d'axes : 3

Précision de l'angle : ±0.02°

Gamme de contrôle maximale :

Inclinaison :

-Mode Angle : entre 0° et -90°

-Mode Vitesse : entre +15° et -90°

Orientation : 360° sans limite

Vitesse de contrôle maximale :

Inclinaison : 30°/s

Orientation : 120°/s

Rayon de transmission vidéo : 2 km

Système de transmission : 5.2 Ghz — 5.8 Ghz

Installation de la nacelle

Assemblage

Étape 1

Trouvez la flèche imprimée au-dessus de la plaque d'amortissement, celle-ci indique la direction correcte d'installation.

Étape 2

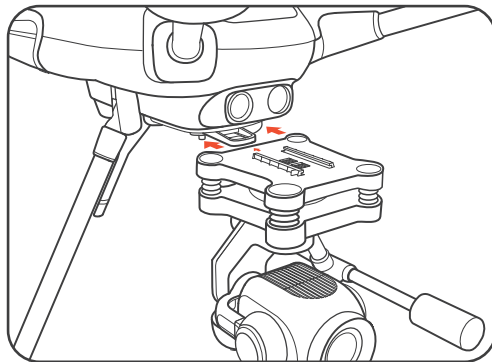
Faites glisser la E90 dans la direction indiquée jusqu'au fond de la rainure de fixation, jusqu'à ce que la E90 soit fixée par le clip de sécurité.

Étape 3

Enlevez le cache de l'objectif.

Étape 4

Insérez la carte MicroSD.



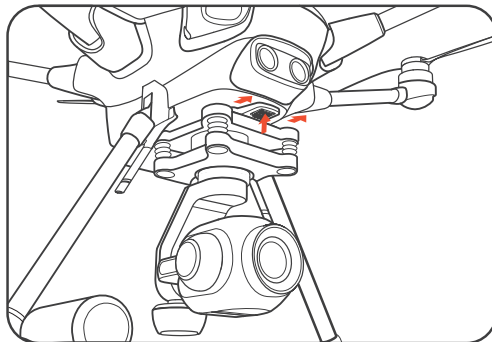
Désassemblage

Étape 1

Trouvez l'onglet de sécurité situé devant la rainure de fixation.

Étape 2

Enfoncez et maintenez enfoncé le clip de sécurité et poussez la E90 vers l'avant (la direction est indiquée par la flèche).



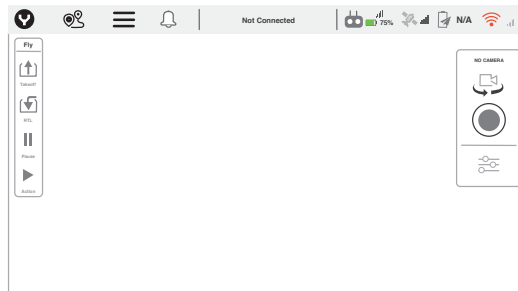
Installez la E90

Étape 1

Mettez en route le ST16S puis le drone H520.

Étape 2

Touchez [📶] dans le coin supérieur droit de l'interface principale du ST16S.



Étape 3

Tapez le numéro de série du E90 lorsque la fenêtre s'ouvre. (Si de multiples UAS Yuneec sont utilisés, vérifiez le numéro d'identification sur le côté de chaque caméra pour vous assurer que la sélection/appariement de la caméra est correct.



Étape 4

En utilisant le mot de passe « 1234567890 », autorisez la caméra puis tapez « OK » pour confirmer.

REMARQUE

Si le processus de connexion est retardé, fermez la fenêtre pop-up puis répétez les étapes ci-dessus.



REMARQUE

- 1.Assurez-vous que le firmware de la nacelle a été mis à jour à la dernière version.
- 2.Pour obtenir les informations produit les plus à jour, veuillez vous référer au site officiel: www.yuneec.com.

MISE EN GARDE

N'exposez pas l'objectif de la caméra nacelle E90 à une source de lumière extrême !
Ne faites pas fonctionner la caméra nacelle E90 sous la pluie ou dans des environnements très humides !
Ne touchez pas et ne déplacez pas la caméra nacelle E90 tant que le processus d'initialisation n'est pas terminé !
N'essayez pas de réparer la caméra nacelle E90 vous-même ! Toute réparation doit être effectuée par un centre de service agréé.

Les termes spécifiques suivants sont utilisés tout au long de la documentation du produit afin d'indiquer les niveaux de danger potentiels lors de l'utilisation de ce produit.

REMARQUE si ces procédures ne sont pas correctement suivies, elles peuvent entraîner des détériorations et/ou un risque de blessure mineur à inexistant.

PRÉCAUTION si ces procédures ne sont pas correctement suivies, elles entraînent des détériorations probables et/ou un risque de blessure grave.

MISE EN GARDE si ces procédures ne sont pas correctement suivies, elles entraînent des détériorations probables et/ou un risque de blessure grave ou superficielle.

MISE EN GARDE

Lisez l'INTÉGRALITÉ du manuel d'instructions afin de vous familiariser avec les caractéristiques du produit avant de l'utiliser.

N'utilisez pas ce produit avec des composants non compatibles et ne le modifiez pas sans respecter les instructions fournies par Yuneec.

Toute utilisation du produit qui diffère de la façon prévue décrite dans le manuel d'instructions risque d'entraîner des dégâts sur l'appareil, d'autres biens et/ou de provoquer des blessures graves. Ce produit n'est pas un jouet !

Collecte et traitement des données

Yuneec peut collecter des informations relatives à la navigation, comme par ex. les données GPS, dans le but d'améliorer ses produits.Nous pouvons également collecter les données de la carte de profondeur et des images thermiques de votre drone afin de les transmettre à notre centre SAV pour la réparation, la maintenance ou tout autre service. Nous avons aussi le droit de collecter d'autres données telles que des informations sur l'appareil,

l'historique serveur, etc. Nous pouvons aussi collecter les informations personnelles utilisées pour l'enregistrement si vous choisissez de devenir un utilisateur enregistré et toutes les autres informations sur l'utilisateur fournies à Yuneec. Il se peut que nous collectons des informations que l'utilisateur envoie à d'autres utilisateurs, ainsi que sur les destinataires et émetteurs de telles informations.

Nous nous réservons le droit de divulguer votre information si la loi l'exige ou si nous estimons en toute bonne foi qu'une telle action est nécessaire pour répondre aux lois en vigueur, par exemple en réponse à l'injonction d'un tribunal, à une assignation judiciaire, à un mandat ou à une requête d'un gouvernement, ou dans le cadre d'une coopération avec des agences gouvernementales ou policières.

Nous nous réservons également le droit de divulguer les informations que nous jugeons en toute bonne foi nécessaires ou appropriées à : (i) nous protéger ou protéger les autres d'agissements frauduleux, illégaux ou abusifs ; (ii) prendre des précautions au regard d'une responsabilité éventuelle ; (iii) protéger la sécurité des applications Yuneec intégrées à votre drone ou téléchargées dessus, ainsi que tout équipement ou service associé ; (iv) protéger nos droits légaux et ceux des autres.

Toute information que nous collectons peut être divulguée ou transférée à un acquéreur, successeur ou cessionnaire comme partie prenante d'une éventuelle fusion ou acquisition, en cas de financement de dette ou en lien avec toute autre activité qui implique le transfert d'actifs commerciaux.

Il se peut que nous partagions avec des tiers les informations non personnelles sous forme collective à des fins diverses, incluant (i) le respect des obligations de déclaration ; (ii) les actions marketing ; (iii) l'analyse de la sécurité des produits ; (iv) la compréhension et l'analyse des intérêts de nos clients, les habitudes, l'utilisation de certains services, contenus, fonctionnalités, etc.

Clause de non-responsabilité

Yuneec Electric Aviation ne peut être rendue responsable des éventuels dommages, blessures ou utilisations du produit qui violent la réglementation juridique, en particulier dans les circonstances suivantes : dommage et/ou blessure et violation des dispositions légales résultant du non-respect des instructions d'utilisation ou des instructions fournies sur www.yuneec.com, dans les informations relatives aux produits, le manuel utilisateur et toute autre information juridiquement contraignante.

Dommage et/ou blessure et violation des réglementations sous l'emprise de l'alcool, de drogues, de médicaments ou autres stupéfiants qui pourraient altérer la concentration de l'utilisateur.

Ceci vaut également pour les problèmes de santé affectant la capacité de concentration de l'utilisateur (vertiges, fatigue, nausée, etc.) et tout autre facteur compromettant ses capacités mentales ou physiques.

Dommage, blessure et violation intentionnels des dispositions légales.

Toute demande de compensation suite à un accident causé par l'utilisation du produit.

Domage et/ou blessure causés par l'utilisation du produit dans une zone interdite au vol comme à proximité d'un terrain d'aviation, ou bien au-dessus d'une autoroute ou d'une aire naturelle protégée.

Dysfonctionnement du produit entraîné par un réaménagement du produit ou le remplacement d'un de ses composants par un composant non produit par Yuneec Electric Aviation.

Domage et/ou blessure entraînés par l'utilisation de pièces de contrefaçon (non originales).

Domage et/ou blessure et violation de la réglementation causés par une utilisation incorrecte ou une erreur de jugement.

Domage et/ou blessure entraînés par l'utilisation de pièces de rechange endommagées ou non produites par Yuneec Electric Aviation.

Domage et/ou blessure, ainsi que violation des dispositions légales, entraînés par le fait d'ignorer l'alerte de niveau de batterie faible.

Domage et/ou blessure, ainsi que violation des dispositions légales, entraînés par l'utilisation du modèle dans un champ magnétique (par exemple à proximité de lignes à haute tension, postes transformateurs, tours de radiodiffusion, antennes-relais de téléphonie mobile, etc.), dans un environnement avec un fort signal sans fil, une zone interdite au vol, une zone à visibilité réduite, ainsi que dans les cas de problèmes de visibilité non détectés de l'utilisateur, etc.

Domage et/ou blessure entraînés par une violation des dispositions légales consistant à utiliser le modèle dans des conditions météorologiques inadaptées, par ex. pluie, neige, grêle, tempête, ouragan, etc.

Domage et/ou blessure, ainsi que violation des dispositions légales, entraînés par un événement exceptionnel, par ex. collision, incendie, explosion, inondation, tsunami, glissement de terrain, avalanche, tremblement de terre ou autre catastrophe naturelle.

Domage et/ou blessure, ainsi que violation des dispositions légales, entraînés par une utilisation illégale ou immorale du modèle par exemple prise de photographies ou de vidéos qui violent le droit à la vie privée d'autrui.

Domage et/ou blessure, ainsi que violation des dispositions légales, entraînés par l'utilisation incorrecte des batteries, systèmes de protection, chargeurs ou aéronaf.

Domage conséquent à l'utilisation incorrecte d'un composant système ou d'un accessoire, en particulier la carte mémoire, qui aurait endommagé le matériel photo ou vidéo de la caméra.

Tout non-respect des obligations légales, lésion corporelle, dégât matériel et environnemental entraînés par un manquement aux lois et directives locales lors de l'utilisation du modèle.

Domage et/ou blessure, ainsi que violation des dispositions légales, entraînés par une utilisation dangereuse et un manque de pratique.

Domage et/ou blessure, ainsi que violation des dispositions légales, entraînés par le vol dans une zone interdite au vol.

Toute autre perte qui n'entre pas dans l'utilisation non conforme définie par Yuneec Electric Aviation.

Ce produit est conçu pour un usage professionnel et privé (personnel). Les lois et dispositions nationales et internationales en vigueur au moment du décollage doivent être respectées.

Informations concernant la législation

Déclaration de la FCC

cet équipement a été testé et jugé conforme aux limites exposées à la partie 15 des règles de la FCC. Ces limites sont prévues pour garantir une protection raisonnable contre les interférences nocives dans une installation résidentielle. Cet équipement génère, utilise et peut émettre une énergie de fréquence radio et, s'il n'est pas installé et utilisé conformément aux présentes instructions, peut provoquer des interférences gênantes pour les communications radio. Cependant, il n'existe aucune garantie que des interférences ne seront pas émises sur une installation particulière. Si cet équipement provoque des interférences gênantes pour la réception radio ou télévisuelle, ce qui peut être vérifié en éteignant et rallumant l'équipement, l'utilisateur est encouragé à essayer de corriger les interférences en prenant une ou plusieurs des mesures suivantes :

- Réorienter ou déplacer l'antenne de réception.
- Éloigner l'équipement du récepteur.
- Connecter l'équipement à une alimentation ou à un circuit différent de celui du récepteur.
- Consulter le revendeur ou un technicien radio/TV expérimenté pour se faire aider.

L'appareil respecte la partie 15 des directives de la FCC. Son fonctionnement est soumis aux deux conditions suivantes : (1) Cet appareil ne doit pas causer d'interférences gênantes, et (2) doit accepter des interférences reçues, y compris des interférences qui peuvent entraîner un fonctionnement indésirable.

Avertissement relatif à l'exposition aux RF

Cet équipement doit être installé et utilisé conformément aux instructions fournies et les antennes utilisées pour cet émetteur doivent être installées pour permettre une distance de séparation d'au moins 20 cm de toute personne et ne doivent pas être installées au même endroit ou utilisées au même moment qu'une autre antenne ou un autre émetteur. Les utilisateurs finaux et les installateurs doivent disposer des instructions d'installation de l'antenne et connaître les conditions de fonctionnement de l'émetteur afin de respecter les conditions en matière d'exposition aux fréquences radio.

Déclaration d'exposition aux radiations IC pour le Canada

Cet appareil est conforme aux normes RSS « exempt de licence » de l'industrie canadienne. Le fonctionnement est soumis aux deux conditions suivantes : (1) Cet appareil ne doit pas causer d'interférences, et (2) doit accepter des interférences reçues, y compris des interférences qui peuvent entraîner un fonctionnement indésirable.

Le présent appareil est conforme aux CNR d'Industrie Canada applicables aux appareils radio exempts de licence. L'exploitation est autorisée aux deux conditions suivantes : (1) l'appareil ne doit pas produire de brouillage, et (2) l'utilisateur de l'appareil doit accepter tout brouillage radioélectrique subi, même si le brouillage est susceptible d'en compromettre le fonctionnement.

Cet équipement respecte les limites d'exposition aux rayonnements IC RSS-102 définies pour un environnement non contrôlé.

Cet équipement respecte les limites d'exposition aux rayonnements IC définies pour un environnement non contrôlé

Mise en garde du CCN

Article 12

Il est interdit à toute entreprise ou utilisateur d'altérer la fréquence, d'augmenter la puissance ou de modifier les caractéristiques et fonctions originelles de la machine électrique à basse fréquence.

Article 14

L'utilisation de machines électriques de fréquence basse puissance ne doit pas nuire à la sécurité de la navigation, ni interférer dans une communication légale. En cas d'interférence, le service sera suspendu jusqu'à l'obtention d'une amélioration et la disparition totale de l'interférence.

Mise en garde CE

Cet appareil respecte les exigences de l'UE relatives à la limitation des champs magnétiques publics à des fins de santé publique.

Fréquence opérationnelle UE (puissance maximum transmise)

5G Wifi : 5560-5580 MHz (27 dBm), 5680-5700 MHz (27 dBm)

Déclaration de conformité UE

Yunee International (China) Co., Ltd. déclare par la présente que cet appareil respecte les exigences fondamentales et d'autres conditions pertinentes de la directive RED 2014/53/EU. Le texte complet de la déclaration de conformité UE est disponible à l'adresse Internet suivante : <http://yune.ec/de-downloads>.

Veuillez consulter cette adresse et sélectionner la page produit correspondante.

Service clients

Fabricant :

Yuneeec International (China) Co., Ltd.

Adresse : East Zhengwei Road No.388, Jinxi Town, Kunshan City, Jiangsu Province

Distributeur :

CN: Youyu (Shanghai) Digital Technology Co.,Ltd.

Adresse : B 15F, 461 HongCao Road,CaoHeJing Software Building XuHui District, Shanghai, China

Tél. : +86 400 8207 506

saleschina@yuneeec.com

HK: Yuneeec HK

Adresse : 2/F, Man Shung Industrial Building, 7 Lai Yip Street, Kwun Tong, Kowloon, Hong Kong

Tél. :+852 3616 6017

hkcs@yuneeec.com

US: Yuneeec USA Inc.

Adresse : 5555 Ontario Mills Parkway, Ontario, CA91764, USA

Tél. : +1 855 284 8888

uscs@yuneeec.com

EU: Yuneeec Europe GmbH

Adresse : Niklaus-Otto-Strasse 4, 24568 Kaltenkirchen, Germany

Tél. : +49 4191 932620

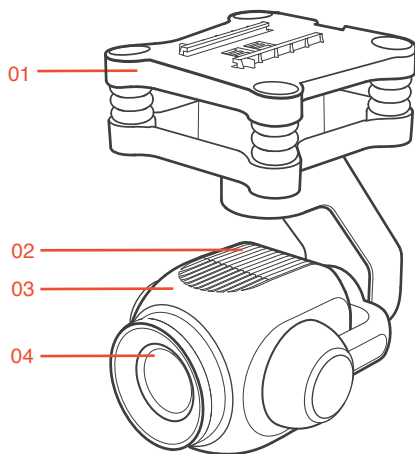
eucs@yuneeec.com

UK: YUNEEC UK

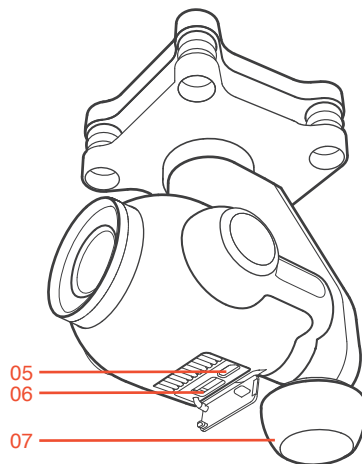
Adresse : 181 Victoria Road, Barnet, Hertfordshire EN4 9PA, UK

Tél. :+44(0) 208 449 4321

info@yuneeec.uk



- 01 Placa amortiguadora
- 02 Cámara
- 03 LED indicador de estado
- 04 Lente de la cámara



- 05 Puerto USB
- 06 Puerto para tarjeta micro SD
- 07 Antena de 5 GHz

Especificaciones

General

Dimensiones:

115 x 80 x 130 mm (4,5" x 3,1" x 5,1")

Peso: 350 g (12,3 oz)

Cámara

Lente de la cámara: 23 mm / F2.8

Campo de visión (FOV): 91°

Obturador electrónico: 1/8000 s a 8s

Distancia focal equivalente: 23 mm

Sensor de imágenes: CMOS

Dimensiones del sensor de imágenes: 1" (13,2 x 8,8 mm)

Resolución de fotografía: 3:2 5472 x 3648

4:3 4864 x 3648

16:9 5472 x 3080

Formatos de fotografía: JPG, DNG y JPG

Resolución de vídeo:

4K: 4096x2160

H264: 24/25/30/48/50/60p;

H265: 24/30p;

UHD: 3840x2160

H264: 24/25/30/48/50/60p;

H265: 24/30p;

2720x1530 24/25/30/48/50/60P;

FHD: 1920 x 1080 24/25/30/48/50/60/120p

HD: 1280 x 720 24/25/30/48/50/60/120p

Formatos de almacenamiento de vídeo: MP4

Modos de funcionamiento: captura, grabación

Píxeles efectivos: 20 megapíxeles

EV (valor de exposición): ± 3,0

ISO: 100-6400

Balance de blancos: automático, luz diurna, nublado, fluorescente, incandescente, amanecer/atardecer

Gimbal

Número de ejes: 3

Precisión del ángulo de control: ± 0,02°

Rango de control máximo:

Inclinación:

-Modo Angle: entre 0° y -90°

-Modo Velocity: entre +15° y -90°

Panorámico: 360° sin límites

Velocidad de control máxima:

Inclinación: 30°/s

Panorámico: 120°/s

Rango de transmisión de vídeo: 2 km (6561,7 ft)

Sistema de transmisión: 5,2 - 5,8 Ghz

Instalar el gimbal

Montaje

Paso 1.

Busca la flecha impresa en la parte superior de la placa de amortiguación que indica la dirección de instalación correcta.

Paso 2.

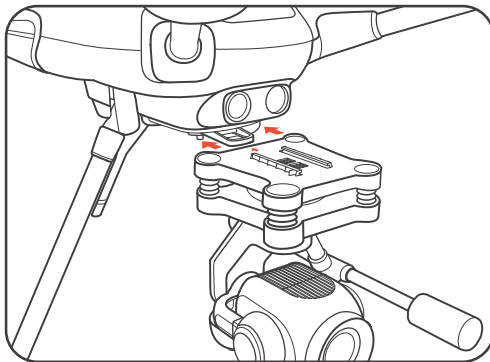
Desliza la E90 en la dirección indicada hasta el final en la ranura de montaje hasta que quede fija mediante el clip de bloqueo.

Paso 3.

Retira el protector de la lente.

Paso 4.

Inserta la tarjeta MicroSD.



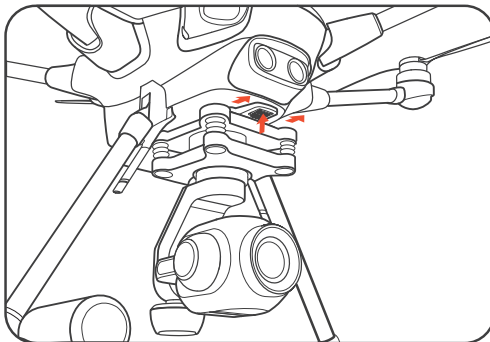
Desmontaje

Paso 1.

Busca la pestaña de bloqueo situada en la parte frontal de la ranura de fijación.

Paso 2.

Pulsa y mantén pulsada la pestaña de bloqueo y empuja la E90 hacia adelante (en la dirección que indica la flecha).



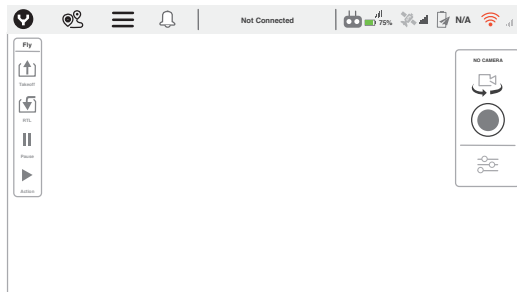
Vincular la E90

Paso 1.

Enciende la ST16S y, a continuación, la aeronave H520.

Paso 2.

Toca el icono [📶] situado en la esquina superior derecha de la interfaz principal de la ST16S.



Paso 3.

Toca el número de serie de la E90 cuando aparezca la siguiente ventana emergente. (Si se usan múltiples sistemas de aeronaves no tripuladas (UAS) de Yuneec, comprueba el número de identificación que se encuentra en el lateral de cada cámara para garantizar la selección y vinculación correctas de la cámara).



Paso 4.

Introduce la contraseña «1234567890» para autorizar la cámara y pulsa «OK» para confirmar.

AVISO

Si el proceso de conexión se retrasa, cierra la ventana emergente y repite los pasos anteriores.



AVISO

1. Asegúrate de que el firmware del gimbal se ha actualizado a la última versión.
2. Para obtener la información más reciente del producto, visita nuestra página web oficial: www.yuneec.com.

ADVERTENCIA

No expongas la lente de la cámara E90 del gimbal a fuentes de luz extrema.
No manejes la cámara E90 del gimbal bajo la lluvia ni en entornos con humedad.
No toques ni muevas la cámara E90 del gimbal hasta que el proceso de inicialización haya finalizado.
No intentes reparar la cámara E90 del gimbal por ti mismo. Si necesitas efectuar reparaciones, acude a un centro de servicio autorizado.

La siguiente nomenclatura especial se utiliza en toda la documentación del producto para indicar diferentes niveles de daños que pueden causarse al utilizar el presente producto:

AVISO Procesos que si no se siguen correctamente pueden provocar daños materiales y/o lesiones leves o ninguna lesión.

PRECAUCIÓN Procedimientos que si no se siguen correctamente pueden provocar daños materiales y/o lesiones graves.

ADVERTENCIA Procedimientos que si no se siguen correctamente pueden provocar daños materiales, colaterales y/o lesiones graves o que tengan una alta probabilidad de causar lesiones superficiales.

ADVERTENCIA

Lee TODO el manual de instrucciones para familiarizarte con las características del producto antes de usarlo.
No utilices este producto con componentes incompatibles ni lo modifiques de un modo no contemplado en las instrucciones facilitadas por Yuneec.
Si no usas este producto según el fin previsto descrito en el manual de instrucciones, puedes provocar daños en el producto, daños materiales y/o lesiones personales graves. ¡Este producto no es un juguete!

Recopilación y procesamiento de datos

Yuneec puede recopilar información de navegación, como por ejemplo datos GPS, para ayudar a mejorar nuestros productos. También podemos recopilar información relacionada con el mapa de profundidad y las imágenes infrarrojas de tu dron si lo dejas en nuestro centro de servicio a efectos de reparación y mantenimiento o cualquier otro servicio. Asimismo, también podemos obtener otros datos, como información del dispositivo, información de registro del servidor, etc. Igualmente, si decides hacerte usuario registrado, podemos recopilar la

información personal que hayas utilizado para registrarte y cualquier otra información de usuario que proporciones a Yuneec. Además, podemos recopilar la información que el usuario envíe a otros usuarios, así como a los destinatarios y remitentes de dicha información. Nos reservamos el derecho a divulgar tu información si así se requiere por ley o si consideramos de buena fe que dicha divulgación es necesaria para cumplir la legislación vigente, por ejemplo, en respuesta a una orden judicial, una citación judicial, una orden o solicitud gubernamental o para cooperar de cualquier otro modo con los organismos gubernamentales o en aplicación de la ley. Asimismo, nos reservamos el derecho a divulgar tu información si consideramos de buena fe que ello es necesario o apropiado para: (i) protegernos a nosotros mismos o a terceros de actividades fraudulentas, ilegales o abusivas; (ii) tomar precauciones para evitar toda responsabilidad potencial; (iii) proteger la seguridad de las aplicaciones de Yuneec integradas o descargadas en tu dron o en cualesquiera equipos y servicios conexos; y (iv) proteger nuestros propios derechos legales o de terceros.

Toda información que hayamos recopilado podrá ser divulgada o transmitida a un comprador, sucesor o cesionario como parte de cualquier posible fusión, adquisición, financiación de deuda u otras actividades que comporten una transferencia de activos empresariales.

Podemos poner a disposición de terceros la información no personal conjunta de los usuarios para distintos fines, entre ellos: (i) cumplir las distintas obligaciones de prestar información; (ii) llevar a cabo iniciativas comerciales; (iii) analizar la seguridad de los productos; y (iv) conocer y analizar los intereses, hábitos, patrones de uso de ciertas funciones, servicios, contenidos, etc. de nuestros usuarios.

Exención de responsabilidad

Yuneec Electric Aviation no se hace responsable de ningún daño o lesión que resulte de un uso indebido del presente producto o de un uso que viole la normativa legal, en especial bajo las siguientes circunstancias: Los daños o lesiones, así como el incumplimiento de la normativa legal, derivados del incumplimiento de las instrucciones de manejo o de las instrucciones que figuran en www.yuneec.com, la información del producto, el manual de usuario y demás información legalmente vinculante.

Los daños o lesiones, así como el incumplimiento de la normativa legal, causados por encontrarse bajo la influencia de alcohol, drogas, medicamentos o estupefacientes que puedan afectar a la concentración del usuario.

Esto mismo se aplica en caso de enfermedades que menoscaben la concentración del usuario (mareos, cansancio, náuseas, etc.) u otros factores que comprometan sus capacidades físicas y mentales.

Daños, lesiones o violación de la normativa legal causados intencionadamente.

Toda solicitud de indemnización por daños y perjuicios causados por un accidente resultante de usar el producto. Los daños o lesiones, así como la violación de la normativa legal, causados por usar el producto en una zona de exclusión aérea, p. ej. cerca de aeródromos, sobre autopistas o en zonas de conservación natural.

Mal funcionamiento del producto causado por readaptaciones o cambios de piezas realizados con componentes de un fabricante distinto a Yuneec Electric Aviation.

Los daños o lesiones causados por el uso de piezas de imitación (piezas no originales).

Daños y/o lesiones, así como violación de la normativa legal, causados por un manejo incorrecto o errores de juicio. Los daños o lesiones causados por repuestos dañados o por no usar piezas de repuesto originales de Yuneec Electric Aviation.

Los daños o lesiones, así como el incumplimiento de la normativa legal, causados por ignorar la advertencia de batería baja.

Los daños o lesiones, así como el incumplimiento de la normativa legal, causados por manejar el modelo en un campo magnético (p. ej. bajo líneas de alta tensión, en estaciones eléctricas/transformadoras, torres de radio, antenas de telefonía móvil, etc.), en entornos con una señal inalámbrica potente, en zonas de exclusión aérea, en zonas con mala visibilidad y en caso de que el piloto tenga problemas de visión u otras deficiencias que se no se hayan diagnosticado, etc.

Los daños o lesiones provocados por incumplir la normativa legal relativa al manejo del modelo o por manejar el modelo en condiciones meteorológicas adversas, p. ej. lluvia, viento, nieve, granizo, tormentas, huracanes, etc.

Los daños o lesiones, así como el incumplimiento de la normativa legal, causados por fuerza mayor, p. ej. en caso de colisión, incendio, explosión, inundación, tsunami, deslizamiento de tierras, avalancha, terremoto u otras fuerzas de la naturaleza.

Los daños o lesiones, así como el incumplimiento de la normativa legal, causados por el uso ilegal o inmorale del modelo, p. ej. para grabar vídeos o datos que vulneren o menoscaben la privacidad de terceros.

Los daños o lesiones, así como el incumplimiento de la normativa legal, causados por el uso incorrecto de las baterías, los sistemas de protección, los cargadores o la aeronave.

Daños indirectos causados por el manejo incorrecto de todo tipo de componentes del sistema y piezas accesorias, en especial de las tarjetas de memoria, debido a lo cual las imágenes o los vídeos de la cámara puedan llegar a deteriorarse.

Todo incumplimiento de las obligaciones legales, daños materiales y daños ambientales causados por un uso que incumpla las leyes y normativas locales.

Los daños o lesiones, así como el incumplimiento de la normativa legal, causados por un uso peligroso sin suficiente experiencia práctica.

Los daños o lesiones, así como el incumplimiento de la normativa legal, causados por volar en zonas legalmente definidas como zonas de exclusión aérea.

Ulteriores pérdidas que no se incluyan en lo que Yuneec Electric Aviation define como uso indebido.

El presente producto ha sido diseñado para un uso tanto profesional como privado. Deben cumplirse las leyes y normativas nacionales e internacionales vigentes en el momento del despegue.

Información Reglamentaria

Declaración FCC

Se ha comprobado que el presente equipo cumple los límites descritos en la parte 15 de las normas FCC. Estos límites han sido diseñados para proporcionar una protección razonable contra interferencias perjudiciales en un entorno residencial. El presente equipo genera, utiliza y puede irradiar energía de radiofrecuencia. Por tanto, si no se instala y utiliza de acuerdo con las instrucciones, podría causar interferencias perjudiciales para las comunicaciones por radio. Sin embargo, no hay garantía alguna de que no se vayan a producir interferencias en un entorno particular. En el caso de que el presente equipo causara interferencias perjudiciales para la recepción de radio o televisión, lo cual puede comprobarse encendiendo y apagando el dispositivo, se recomienda al usuario que intente corregir la interferencia tomando una o varias de las siguientes medidas:

- Reorientar o reubicar la antena receptora.
- Aumentar la separación entre el equipo y el receptor.
- Conectar el equipo a una salida en un circuito diferente al que está conectado el receptor.
- Solicitar ayuda al distribuidor o un técnico experto de radio/TV.

El presente dispositivo cumple la parte 15 de las reglas FCC. Su manejo está sujeto a las siguientes dos condiciones: (1) que el presente dispositivo no cause interferencias perjudiciales, y (2) que el presente dispositivo acepte cualquier interferencia que reciba, incluidas las interferencias que puedan causar un funcionamiento no deseado.

Aviso de exposición a RF

El presente equipo debe instalarse y manejarse de acuerdo con las instrucciones proporcionadas, y la(s) antena(s) utilizada(s) para el presente transmisor debe(n) instalarse con una separación de por lo menos 20 cm de cualquier persona y no puede(n) colocarse ni manejarse junto con cualquier otra antena o transmisor. El usuario final y el instalador deben disponer de las instrucciones de instalación de la antena y tienen que seguir las instrucciones de funcionamiento del transmisor para garantizar la conformidad con las normas de exposición RF.

Declaración de exposición a la radiación del IC para Canadá

El presente dispositivo cumple el/los estándar(es) RSS para dispositivos de radio sin licencia del Departamento de Industria de Canadá. El manejo está sujeto a las siguientes dos condiciones: (1) que el presente dispositivo no cause interferencias, y (2) que el presente dispositivo acepte cualquier interferencia, incluidas aquellas que puedan causar un funcionamiento no deseado.

Le présent appareil est conforme aux CNR d'Industrie Canada applicables aux appareils radio exempts de licence. L'exploitation est autorisée aux deux conditions suivantes : (1) l'appareil ne doit pas produire de brouillage, et (2) l'utilisateur de l'appareil doit accepter tout brouillage radioélectrique subi, même si le brouillage est susceptible d'en compromettre le fonctionnement.

El presente equipo cumple el límite de exposición a la radiación establecido para un entorno no controlado en la norma RSS-102 del Departamento de Industria de Canadá. Cet équipement respecte les limites d'exposition aux rayonnements IC définies pour un environnement non contrôlé.

Declaración de advertencia de NCC

Artículo 12

Si no dispone de autorización, ninguna compañía, empresa o usuario podrá alterar la frecuencia, incrementar la potencia o cambiar las características y las funciones del diseño original de la presente maquinaria eléctrica de frecuencia de baja potencia.

Artículo 14

La aplicación de maquinaria eléctrica de baja frecuencia no podrá afectar a la seguridad en la navegación ni interferir en comunicaciones legales. Si se detecta alguna interferencia, el servicio deberá suspenderse hasta que se efectúen mejoras y se elimine la interferencia.

Declaración de advertencia CE

A fin de proteger la salud, el presente dispositivo cumple los requisitos de la UE sobre la limitación del público general a los campos electromagnéticos.

Rango de frecuencia UE (potencia máxima transmitida)

WiFi 5G: 5560-5580 MHz (27 dBm), 5680-5700 MHz (27 dBm)

Declaración de conformidad UE

Por la presente, Yuneec International (China) Co., Ltd. declara que este dispositivo cumple los requisitos básicos y demás disposiciones pertinentes de la Directiva 2014/53/EU de equipos radioeléctricos. El texto íntegro de la Declaración de conformidad UE está disponible en la siguiente dirección de Internet:<http://yuneec.com/de-downloads>.

Visita la dirección anterior y accede a la página del producto correspondiente.

Servicio al cliente

Fabricante:

Yuneeec International (China) Co., Ltd.

Dirección: East Zhengwei Road No. 388, Jinxi Town, Kunshan City, Jiangsu Province

Distribuidor:

CN: Youyu (Shanghai) Digital Technology Co., Ltd.

Dirección: B 15F, 461 HongCao Road, CaoHeJing, Software Building XuHui District, Shanghai, China

Tel.: +86 400 8207 506

saleschina@yuneeec.com

HK: Yuneeec Hong Kong

Dirección: 2/F, Man Shung Industrial Building, 7 Lai Yip Street, Kwun Tong, Kowloon, Hong Kong

Tel.: +852 3616 6017

hkcs@yuneeec.com

US: Yuneeec USA Inc.

Dirección: 5555 Ontario Mills Parkway, Ontario, CA91764, USA

Tel.: +1 855 284 8888

uscs@yuneeec.com

EU: Yuneeec Europe GmbH

Dirección: Niklaus–Otto-Strasse 4, 24568 Kaltenkirchen, Germany.

Tel.: +49 4191 932620

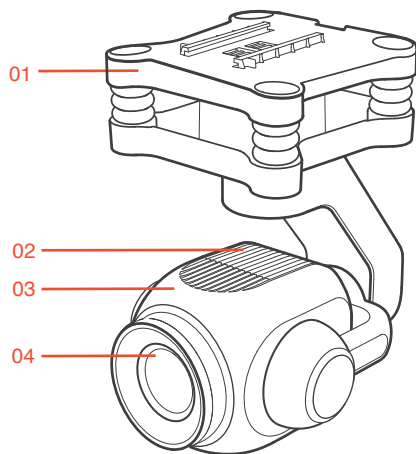
eucs@yuneeec.com

UK: YUNEEC UK

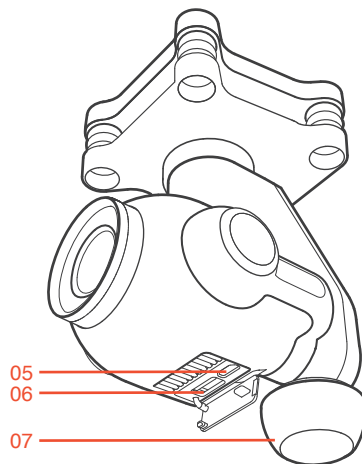
Dirección: 181 Victoria Road, Barnet, Hertfordshire EN4 9PA, UK

Tel.: +44(0) 208 449 4321

info@yuneeec.uk



- 01 Piastra antivibrazione
- 02 Fotocamera
- 03 Indicazione di stato LED
- 04 Obiettivi della fotocamera



- 05 Porta USB
- 06 Porta Micro SD
- 07 Antenna da 5GHz

Specifiche tecniche

Generale

Dimensioni: 4.5"×3.1"×5.1" (115*80*130mm)

Peso: 12.3oz (350g)

Fotocamera

Obiettivi della fotocamera: 23mm/F2.8

FOV: 91°

Otturatore elettronico: 8s---1/8000s

Lunghezza focale equivalente: 23mm

Sensore di immagini: CMOS

Dimensioni del sensore di immagini: 1" (13.2x8.8mm)

Risoluzione foto: 3:2 5472x3648

4:3 4864x3648

16:9 5472x3080

Formati foto: JPG, DNG+JPG

Risoluzione video:

4K: 4096X2160

H264: 24/25/30/48/50/60p;

H265: 24/30p;

UHD: 3840x2160

H264: 24/25/30/48/50/60p;

H265: 24/30p;

2720x1530 24/25/30/48/50/60P;

FHD: 1920x1080 24/25/30/48/50/60/120p

HD: 1280x720 24/25/30/48/50/60/120p

Formati video: MP4

Modalità operative: acquisizione immagini, registrazione

Pixel effettivi: 20 megapixel

EV: ±3.0

ISO: 100-6400

Bilanciamento del bianco: automatico, luce diurna,

nuvoloso, fluorescente, incandescente, alba / tramonto

Gimbal

Numero di assi: 3

Accuratezza del controllo dell'angolazione: ±0.02°

Massimo intervallo di controllo:

Inclinazione:

-Modalità Angle: tra 0° e -90°

-Modalità Velocity: tra +15° e -90°

Rotazione: 360° senza limiti

Massima velocità di controllo:

Inclinazione: 30°/s

Rotazione: 120°/s

Intervallo di trasmissione video: 6561.7 ft (2km)

Sistema di trasmissione: 5.2Ghz-5.8Ghz

Installazione del gimbal

Assemblaggio

Step 1.

Individuare la freccia stampata sulla parte superiore della piastra antivibrazione che indica la direzione di installazione corretta.

Step 2.

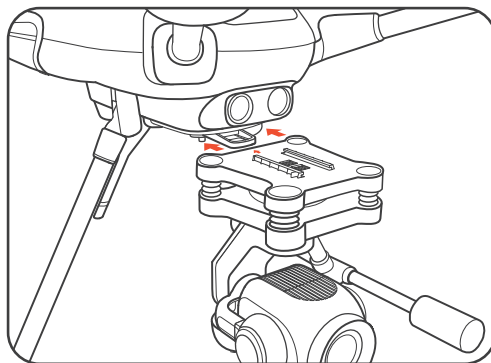
Far scorrere l'E90 nella direzione indicata fino alla fine dello slot di montaggio, finché l'E90 è fermato dal clip di bloccaggio.

Step 3.

Rimuovere la protezione dell'obiettivo.

Step 4.

Inserire la scheda Micro SD.



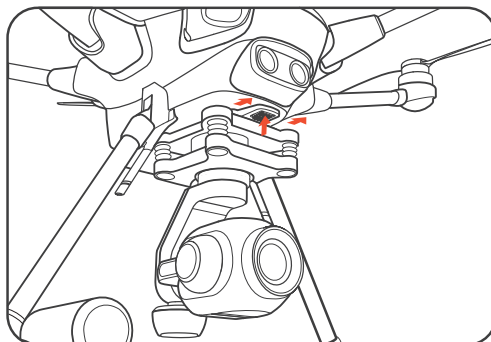
Smontaggio

Step 1.

Individuare il coperchio di chiusura situato davanti allo slot di montaggio.

Step 2.

Premere e tenere premuto il coperchio di chiusura e spingere in avanti l'E90 (direzione indicata dalla freccia).



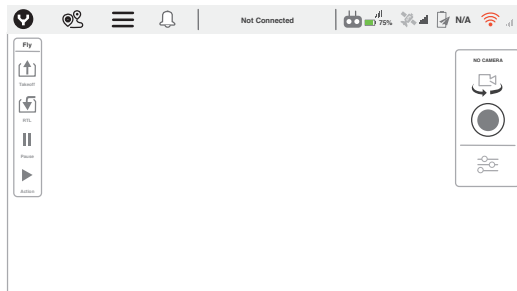
Binding dell'E90

Step 1.

Accendere l'ST16S e il velivolo H520.

Step 2.

Toccare il simbolo [📶] nell'angolo in alto a destra dell'interfaccia principale dell'ST16S.



Step 3.

Quando si apre la successiva finestra, toccare il numero di serie dell'E90. (Se si utilizzano diversi Yuneec UAS controllare il numero ID sul lato di ciascuna telecamera per assicurarsi di effettuare la selezione / il binding della telecamera giusta).



Step 4.

Utilizzando la password "1234567890", autorizzare la telecamera e premere "OK" per confermare.

NOTA

Se il processo di connessione ritarda, chiudere la finestra pop-up e ripetere gli step descritti sopra.



NOTA

1. Assicurarsi che il firmware del gimbal sia aggiornato all'ultima versione.
2. Per le più recenti informazioni sul prodotto si prega di consultare il nostro sito web ufficiale: www.yuneec.com.

AVVERTENZA

Non esporre l'obiettivo della fotocamera gimbal E90 a fonti di luce eccessiva.

Non utilizzare la fotocamera gimbal E90 se piove o in ambienti molto umidi.

Non toccare né spostare la telecamera gimbal E90 fino a quando l'inizializzazione non è completa.

Non cercare di riparare la telecamera gimbal E90! Le riparazioni vanno effettuate da un centro di assistenza autorizzato.

Nella documentazione relativa al prodotto vengono utilizzati i seguenti termini per indicare i vari livelli di pericolo potenziale durante l'uso del prodotto:

NOTA segnala procedure la cui esecuzione inappropriata potrebbe provocare il danneggiamento a cose e/o lesioni lievi o nessuna lesione.

ATTENZIONE segnala procedure che, se non debitamente seguite, generano la probabile insorgenza di danni materiali e/o la possibilità di gravi infortuni.

AVVERTENZA indica procedure che, se non debitamente seguite, determinano il rischio di danni materiali, danni collaterali e gravi lesioni alle persone o il rischio elevato di lesioni superficiali.

AVVERTENZA

Prima di iniziare a utilizzare il prodotto, leggere l'INTERO manuale di istruzioni per familiarizzare con le caratteristiche del prodotto.

Non utilizzare il prodotto con componenti incompatibili o tentare di modificare il prodotto in alcun modo che esuli dalle istruzioni fornite da Yuneec.

Se il prodotto non viene utilizzato in conformità al modo previsto descritto nel manuale di istruzioni, possono verificarsi danni al prodotto, danni materiali e/o gravi infortuni. Questo prodotto non è un giocattolo.

Raccolta ed elaborazione dei dati

Yuneec può raccogliere informazioni sulla navigazione quali dati GPS al fine di migliorare i prodotti.

Può inoltre raccogliere informazioni Depth Map e di immagini a infrarossi dal vostro drone inviato in riparazione, manutenzione o per altri interventi presso il nostro centro di assistenza.

Può altresì raccogliere altre informazioni, come informazioni sul dispositivo, sul registro del server, ecc. oltre a informazioni personali utilizzate nella registrazione se l'utente sceglie di registrarsi e qualsiasi altra informazione fornita dall'utente a Yuneec. Può inoltre raccogliere informazioni inviate dall'utente ad altri utenti nonché i destinatari e i mittenti di tali informazioni.

Yuneec si riserva il diritto di divulgare le informazioni sull'utente dietro richiesta delle autorità legali o se ritiene in buona fede che tale divulgazione sia necessaria per conformarsi alle leggi applicabili, per esempio dietro ordine di un tribunale, citazione giudiziaria, mandato o altra richiesta governativa, oppure collaborando con le agenzie governative o le autorità deputate a far rispettare la legge.

Si riserva inoltre il diritto di divulgare le informazioni dell'utente se ritiene in buona fede che sia necessario o adeguato per: (i) proteggere se stessa o altri da attività fraudolente e illecite; (ii) prendere precauzioni contro potenzialresponsabilità; (iii) proteggere la sicurezza delle app Yuneec integrate o scaricate nel drone di qualsiasi altro dispositivo o servizio associato; (iv) proteggere i diritti legali dell'azienda o di qualsiasi altro.

Tutte le informazioni raccolte possono essere divulgate o trasferite a un acquirente, successore o avente causa nell'ambito di un'eventuale fusione, acquisizione, finanziamento o altre attività che comportano il trasferimento di asset aziendali.

Yuneec potrebbe rendere disponibili a terze parti informazioni non personali in forma aggregata per vari scopi tra cui (i) conformità a vari obblighi di reporting; (ii) attività di marketing; (iii) analisi della sicurezza dei prodotti; (iv) comprensione e analisi degli interessi, delle abitudini, delle modalità di utilizzo di certe funzioni, servizi e contenuti da parte dell'utente, ecc.

Disclaimer

Yuneec Electric Aviation declina qualsiasi responsabilità per eventuali danni, lesioni o per usi del prodotto in violazione delle norme legislative, in modo particolare nelle seguenti circostanze: In caso di danni e/o lesioni nonché violazioni delle norme legislative derivanti dal mancato rispetto delle istruzioni d'uso o delle istruzioni presenti sul sito www.yuneec.com, delle informazioni di prodotto, del manuale d'uso o di altre informazioni legalmente vincolanti. In caso di danni e/o lesioni nonché violazioni delle norme legislative causati dall'effetto di alcol, droghe, medicinali e narcotici che potrebbero influenzare le capacità di concentrazione dell'utente.

Lo stesso si applica in caso di malattie che influenzano la concentrazione dell'utente (capogiri, affaticamento, nausea, ecc.) o di altri fattori che possono compromettere le facoltà mentali e fisiche dell'utente.

In caso di danni, lesioni o violazioni delle norme legislative causate intenzionalmente.

In caso di qualsiasi richiesta di indennizzo per un incidente derivante dall'uso di questo prodotto.

In caso di danni e/o lesioni nonché di violazioni delle norme legislative causate dall'utilizzo del prodotto in una zona interdetta al volo, p. es. vicino a un aerodromo, un'autostrada o una riserva naturale protetta.

In caso di malfunzionamento del prodotto causato dal montaggio o dalla sostituzione di componenti che non provengono da Yuneec Electric Aviation.

In caso di danni e/o lesioni causati dall'uso di parti non originali.

In caso di danni e/o lesioni nonché violazioni delle norme legislative causati da un utilizzo non corretto o da un errore di valutazione.

In caso di danni e/o lesioni causati da parti di ricambio danneggiate o per non aver utilizzato parti di ricambio originali di Yuneec Electric Aviation.

In caso di danni e/o lesioni nonché violazioni delle norme legislative perché non si è prestata attenzione all'avviso di batteria scarica.

In caso di danni e/o lesioni nonché di violazioni delle norme legislative causate dall'azionamento del modello in un campo magnetico (p. es. linee di alta tensione, centrali elettriche, stazioni di trasformazione, torri radio, in un ambiente con un forte segnale wireless, nelle zone interdette al volo, in condizioni di scarsa visibilità e in caso di disturbi alla vista del pilota che non sono stati accertati, ecc.

In caso di danni e/o lesioni derivanti da una violazione delle norme legislative per aver azionato il modello in condizioni atmosferiche non idonee, p. es. in caso di pioggia, vento, neve, grandine, tempeste, uragani, ecc.

In caso di danni e/o lesioni nonché violazioni delle norme legislative causate da forza maggiore, p. es. in caso di collisioni, incendi, esplosioni, inondazioni, tsunami, frane, valanghe, terremoti o altre forze della natura.

In caso di danni e/o lesioni nonché violazioni delle norme legislative causati dall'uso illegale o immorale del modello, p. es. nel caso di riprese video o registrazione di dati che infrangono o danneggiano i diritti di riservatezza di altre persone.

In caso di danni e/o lesioni nonché violazioni delle norme legislative causati da un uso incorretto delle batterie, dei sistemi di protezione, dei caricatori o del velivolo.

In caso di danni consequenziali causati da un uso incorretto di qualsiasi tipo di componenti di sistema e di parti accessorie, specialmente schede di memoria, per cui le immagini o il materiale video possono diventare difettosi.

In caso di qualsiasi non conformità con gli obblighi legislativi, lesioni personali, danni materiali e danni ambientali causati dall'uso e dalla mancata ottemperanza alle norme e regolamentazioni locali.

In caso di danni e/o lesioni nonché violazioni delle norme legislative causati dall'uso dannoso senza adeguata esperienza pratica.

In caso di danni e/o lesioni nonché violazioni delle norme legislative causati dal volo in zone definite dalla legge interdette al volo.

In caso di ulteriori perdite che non rientrano nell'ambito di utilizzo definito improprio da Yuneec Electric Aviation. Questo prodotto è per uso sia professionale sia personale e privato. Devono essere rispettate le norme nazionali e internazionali nonché le normative in vigore al momento del decollo.

Informazioni sulle regolamentazioni

Dichiarazione FCC

Questo dispositivo è stato testato ed è risultato conforme ai limiti della Parte 15 delle Norme FCC. Tali limiti sono stati stabiliti per fornire una protezione ragionevole contro interferenze pericolose in un'installazione residenziale. Questo dispositivo genera, utilizza e può irradiare energia a radiofrequenza e, se non installato e utilizzato come specificato nelle istruzioni, può produrre interferenze pericolose per le comunicazioni radio. Tuttavia, non c'è alcuna garanzia che non si verifichino interferenze in un'installazione specifica. Se il presente dispositivo genera interferenze dannose per la ricezione di radio e televisione, riscontrabili accendendo e spegnendo il dispositivo stesso, l'utente è invitato a tentare di correggere l'interferenza adottando una o più delle seguenti misure:

- Riorientare o spostare l'antenna ricevente.
- Aumentare la distanza tra il dispositivo e l'apparecchio ricevente.
- Collegare il dispositivo a una presa appartenente a un circuito diverso da quello al quale è collegato l'apparecchio ricevente.
- Consultare il rivenditore o un tecnico radio/TV esperto.

Questo dispositivo è conforme alla Parte 15 delle regole FCC. L'uso è soggetto alle seguenti due condizioni:

(1) il dispositivo non può causare interferenze dannose e (2) deve accettare le interferenze ricevute, incluse quelle che potrebbero causare un funzionamento indesiderato.

Avvertenza sull'esposizione a RF

La presente attrezzatura deve essere installata e utilizzata in conformità alle istruzioni fornite e l'antenna (antenne) utilizzata(e) per questo trasmettitore deve (devono) essere installata(e) in modo tale da trovarsi a una distanza di almeno 20 cm dalle persone e non deve essere installata nello stesso luogo o funzionare in combinazione con nessun'altra antenna o trasmettitore. Gli utenti finali e gli installatori devono essere provvisti di istruzioni per l'installazione dell'antenna e sulle condizioni di funzionamento del trasmettitore al fine di soddisfare i requisiti di conformità per l'esposizione alle radiofrequenze.

Dichiarazione per l'esposizione a radiazione IC per il Canada

Il presente dispositivo è conforme alle norme RSS esenti da licenza di Industry Canada. L'uso è soggetto alle seguenti due condizioni: (1) il dispositivo non può causare interferenze dannose, e (2) deve accettare le interferenze ricevute, incluse quelle che potrebbero causare un funzionamento indesiderato.

Le présent appareil est conforme aux CNR d'Industrie Canada applicables aux appareils radio exempts de licence. L'exploitation est autorisée aux deux conditions suivantes : (1) l'appareil ne doit pas produire de brouillage, et (2) l'utilisateur de l'appareil doit accepter tout brouillage radioélectrique subi, même si le brouillage est susceptible d'en compromettre le fonctionnement.

Questo dispositivo è conforme ai limiti di esposizione alle radiazioni IC RSS-102 definiti per un ambiente non controllato.

Cet équipement respecte les limites d'exposition aux rayonnements IC définies pour un environnement non contrôlé

Dichiarazione di avvertenza dell'NCC

Articolo 12

Senza apposita autorizzazione, nessuna azienda, società o utente può alterare la frequenza, aumentare la potenza o modificare le caratteristiche e le funzioni del design originale del macchinario elettrico a bassa frequenza certificato.

Articolo 14

L'uso di macchinari elettrici a bassa frequenza non deve influire sulla sicurezza di navigazione né interferire con alcuna comunicazione legale; nel caso si accertasse un'interferenza, il servizio verrà sospeso fino a quando non saranno apportati miglioramenti e l'interferenza non sarà scomparsa.

Dichiarazione di avvertenza CE

Questo dispositivo soddisfa i requisiti dell'UE sui limiti di pubblica sicurezza dei campi elettromagnetici a tutela della salute.

Frequenza di funzionamento UE (la potenza massima trasmessa)

Wifi 5G: 5560-5580MHz (27dBm), 5680-5700MHz (27dBm)

Dichiarazione di conformità UE

Con la presente, Yuneec International (China) Co., Ltd. dichiara che questo dispositivo è conforme ai requisiti essenziali e alle altre disposizioni pertinenti della Direttiva RED 2014/53/UE. Il testo integrale della Dichiarazione di conformità UE è consultabile al seguente indirizzo internet: <http://yuneec.com/de-downloads>.

Si prega di visitare la pagina indicata sopra e di selezionare la relativa pagina prodotto.

Servizio clienti

Costruttore:

Yunee International (China) Co., Ltd.

Indirizzo: East Zhengwei Road No.388, Jinxi Town, Kunshan City, Jiangsu Province

Distributore:

CN: Youyu (Shanghai) Digital Technology Co.,Ltd.

Indirizzo: B 15F, 461 HongCao Road, CaoHeJing Software Building XuHui District, Shanghai, China

Tel.: +86 400 8207 506

saleschina@yunee.com

HK: Yunee HK

Indirizzo: 2/F, Man Shung Industrial Building, 7 Lai Yip Street, Kwun Tong, Kowloon, Hong Kong

Tel.: +852 3616 6017

hkcs@yunee.com

US: Yunee USA Inc.

Indirizzo: 5555 Ontario Mills Parkway, Ontario, CA91764, USA

Tel.: +1 855 284 8888

uscs@yunee.com

EU: Yunee Europe GmbH

Indirizzo: Niklaus-Otto-Strasse 4, 24568 Kaltenkirchen, Germany

Tel.: +49 4191 932620

eucs@yunee.com

UK: YUNEEC UK

Indirizzo: 181 Victoria Road, Barnet, Hertfordshire EN4 9PA, UK

Tel.: +44(0) 208 449 4321

info@yunee.uk

YUNEEC® | WWW.YUNEEC.COM